

HDPE flexible bends and uPVC long radius bends

There are two types of bends available for use with **Kabelflex** cable conduit, flexible HDPE bends and rigid long radius uPVC bends.



HDPE flexible bends

These bends are flexible and can be bent easily by hand to any angle or radius to suit one's requirements. They are supplied complete with one fitted push-fit coupling, and optional rubber sealing rings. A variety of colours are available to match the conduit.

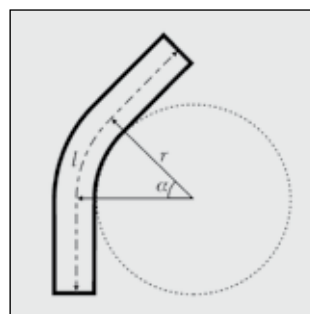


Kabelflex conduit size
Nominal outside diameter mm
Overall length mm (<i>l</i>)
Bending radius mm (<i>r</i>)
Bend angle ° (α)
Belled ends
Push-fit coupling fitted
Rubber sealing rings

	HDPE flexible bends				uPVC long radius rigid bends			
	DN50	DN75	DN110	DN160	DN50	DN75	DN110	DN160
Not required		75	110	160	50	75	110	160
Overall length mm (<i>l</i>)		1700	1750	1800	500	700	1000	1200
Bending radius mm (<i>r</i>)		≥250	≥350	≥450	250	300	500	600
Bend angle ° (α)		variable	variable	variable	22°, 45°, 90°	22°, 45°, 90°	22°, 45°, 90°	22°, 45°, 90°
Belled ends					•	•	•	•
Push-fit coupling fitted		•	•	•				
Rubber sealing rings		optional	optional	optional	optional	optional	optional	optional

uPVC long radius rigid bends

These bends are available in 3 angular configurations 22°, 45° and 90°. They are supplied with both ends belled and are only available in black. Special bends can be manufactured on request.

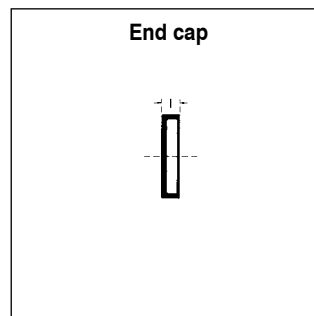
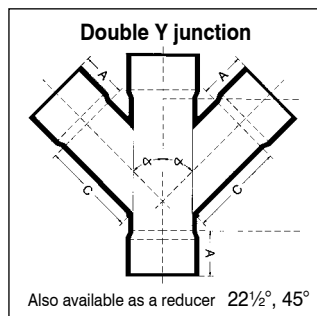
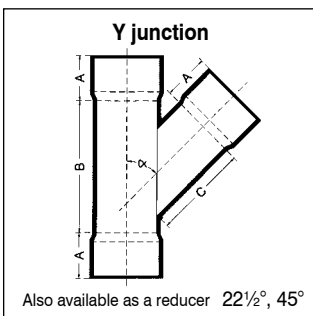
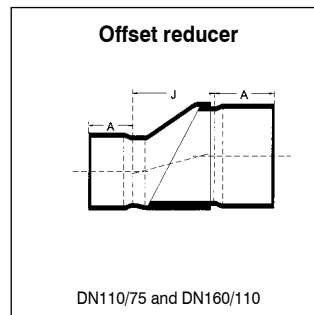
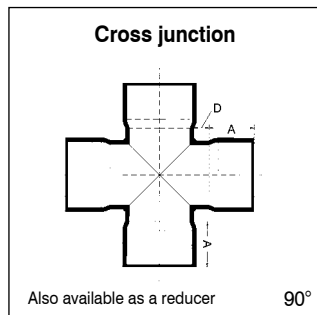
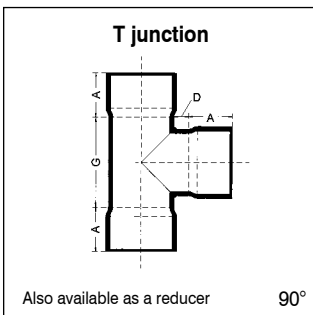
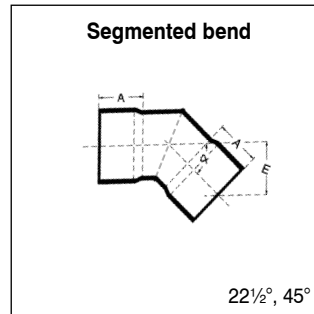
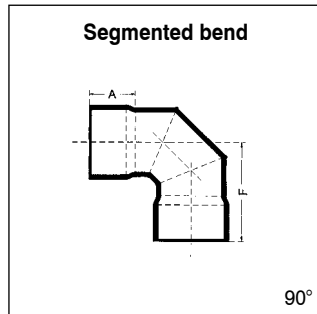
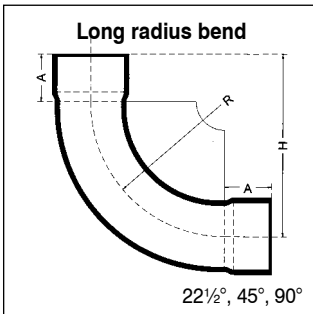


All specifications are subject to manufacturing tolerances

uPVC fabricated junctions, bends and fittings

A wide range of fittings is available to complement our Kabelflex pipe system. Custom made fittings can be manufactured to suit customers special applications.

The standard range of fittings has a simple push-fit configuration. If watertight joints are required then this must be specified at the time of order and non-standard fittings suitable for use with rubber sealing rings will be supplied.



Dimensions	Nominal Diameter (mm)		
	DN75	DN110	DN160
A	45	65	90
B	140	210	310
C	95	120	210
D	20	20	45
E (45°)	65	75	100
E (22 1/2°)	63	50	80
F	130	155	230
G	115	150	250
H (90°)	430	580	700
H (45°)	225	300	425
H (22 1/2°)	400	620	790
I	30	30	35
J	-	80	140
R	280	470	600

Specifications are subject to manufacturing tolerances and change without notice



Nextube (Pty) Ltd
T: +27 11-708-1659
info_sa@duraline.com

Postal:
PO Box 334, Kya Sand 2163
Gauteng, South Africa

Physical:
No. 9 Ampere Close, Kya Sand 2163,
Gauteng, South Africa

Mexichem.
Datacom & Infrastructure